

Wheel Load Scale WL 205

Application	Measurement of wheel and axle loads of any type of vehicle, as well as rigid items like containers and machines. A measuring site with un stabilised surface of less than 5% inclination is sufficient.	
Ranges	0...10 t	0...20 000 lb
	0... 5 t	0...10 000 lb
	0... 2 t	0... 5 000 lb
	0... 1 t	0... 2 000 lb
Temperature range	-20... +60 °C 0...140 °F	
Accuracy	0...10 t:	OIML 76 Cl. 4
	0... 5 t:	OIML 76 Cl. 4
	0...20 000 lb:	NIST H 44 Cl. 4
	0...10 000 lb:	NIST H 44 Cl. 4
	others: ±1% of full scale	
	The scales are delivered with a HAENNI works test report	
Execution	High grade and corrosion resistant aluminium cast enclosure with integrated non skid ramps.	
Type of protection	Watertight IP 65 (IEC 144)	
Dial	white, black markings, according to OIML No. 76 respectively NIST H 44	
Lens	Acrylic glass (perspex), unbreakable	
Weight	19.7 kg	
Dimensions	520 x 270 x 78 mm	



Accessories Refer to W9.100

Selection Chart

Ordering example: WL 205 / 4 1 1 . 1 1 1 / 10Y	
Temperature range	-20...+60°C (4) 0.. +140°F (6)
Accuracy, standard	0...10t: 4 1 1 . 1 1 1 10Y OIML No. 76 Cl. 4 0...5t: 4 1 1 . 1 1 1 09Y OIML No. 76 Cl. 4 0...2t: 1% 4 2 1 . 1 1 1 08Y 0...1t: 1% 4 2 1 . 1 1 1 07Y 0...20 000 lb: 6 1 1 . 1 1 1 60Y NIST H 44 Cl. 4 0...10 000 lb: 6 1 1 . 1 1 1 59Y NIST H 44 Cl. 4 0...5000 lb: 1% 6 2 1 . 1 1 1 58Y 0...2000 lb: 1% 6 2 1 . 1 1 1 57Y
Range	

Operation

Because of its light weight and small dimensions the wheel load scale WL 205 is easy to transport and can be used at any time without the need of ramps.

The rugged construction enables to measure virtually all kind of loads such as air filled tires, hard rubber wheels, containers, machines etc. even on non stabilised surfaces. These qualities open a wide range of applications, e.g. weighing of wood transports in the forest, productivity control of seeds, weighing of vehicles with additional equipment etc.

For efficient measurements it is recommended to work with at least two units. The scale is placed close to in front of the wheel to be tested and the vehicle is driven onto the platform.

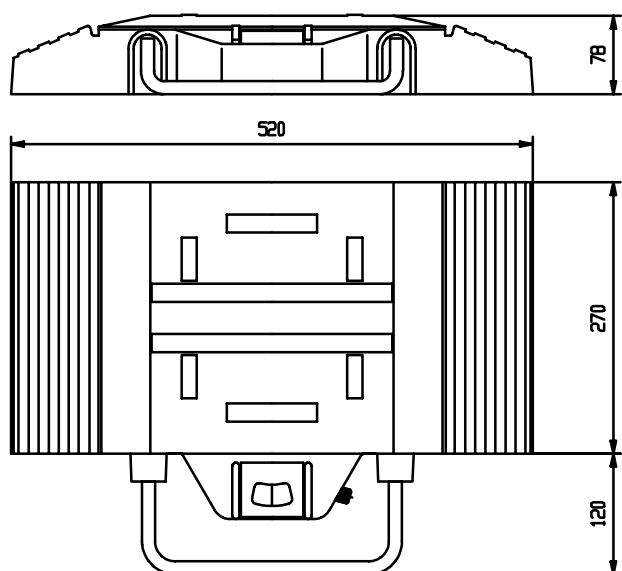
The wheel load is indicated directly on the dial of the instrument.

The platform size is designed for weighing one wheel. Twin tyres are weighed by placing the scale under the outer wheel so that the inner wheel will be lifted completely off the ground

In case of weighing rigid items, the contact area must be not less than 200 mm (8") in diameter.

Wheel Load Scale WL 205

Dimensions



Construction and Function

The wheel load scale WL 205 consists of a weigh platform, a base plate with integrated access ramps and a built in force measuring device.

The force measuring device consists of two levers which conduct the force to the centre, where it is acting on a piston. As a consequence the pressure in the hydraulic system is proportional to the applied load and indicated directly on the dial of the pressure gauge located in the indicating part of the scale.

The entire system is temperature compensated. Nevertheless, a minor offset of the zero point may occur, which can easily be corrected by using the zero setting screw.

The dust and watertight construction and the use of high grade and corrosion resistant materials make the scale exceptionally rugged and long lasting. All relevant parts for maintaining a good accuracy are well protected against mechanical shock by a patented elastic suspension.

Technical Data

Execution	metric					imperial					
	Standard	OIML ¹⁾ No. 76 Cl. 4		Class 1 %		Standard	NIST ¹⁾ H 44 Cl. 4		Class 1 %		
Range	t	0...10	0...5	0...2	0...1	lb	0...20 000	0...10 000	0...5000	0...2 000	
Division	kg	50	20	10	5	lb	50	20	10	5	
Accuracy, in operation / at first calibration	kg	±50/±25 (0...2 500)	±20/±10 (0...1 000)	±20/±15	±10/±8	lb	±100/±50 (0...2 500)	±40/±20 (0...1 000)	±50/±40	±20/±15	
		±100/±50 (2 500... 10 000)	±40/±20 (1 000... 4 000)				±80/±40 (1 000... 4 000)				
			±60/±30 (4 000... 5 000)				±300/±150 (10 000... 20 000)	±120/±60 (4 000... 10 000)			
Loading limit	t	13	7	3	1.5	lb	30 000	15 000	7 500	3 000	
Temperature range in operation and storage	°C	-20...+60					°F	0...+140			
Type of protection (IEC 144)	IP 65										
Operating site	any kind of surface, max. 5% slope (≈3°)										
Dimensions platform height active surface over all	mm	78					in	3.1			
		340 x 260						13.4 x 10.2			
		520 x 390 x 78						20.5 x 15.4 x 3.1			
Weight	kg	19,7					lb	43.4			

¹⁾ OIML is the abbreviation for Organisation Internationale de Métrologie Légale. NIST is the abbreviation for National Institute of Standards and Technology (USA)